

WDJ26HXX LOW DROPOUT LINEAR REGULATOR

GENERAL DESCRIPTION

WDJ26HXX series are a set of Low Dropout Linear Regulator ICs implemented in CMOS technology. They can withstand voltage 48V. And they are available with low voltage drop and low quiescent current, widely used in audio, video and communication appliances.

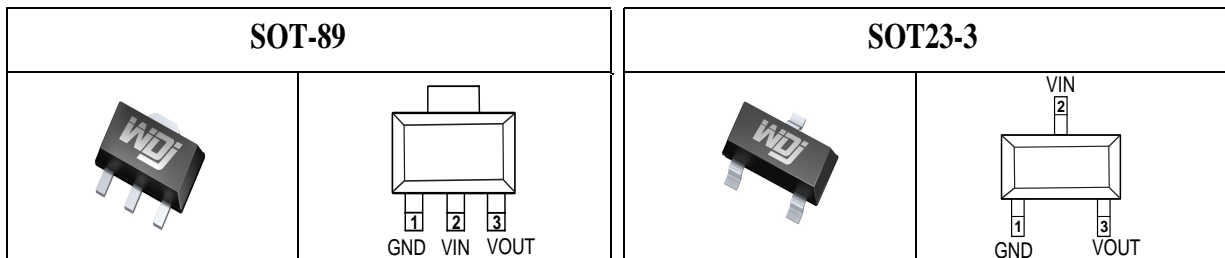
FEATURES

- Low Power Consumption
- Low Voltage Drop
- Low Temperature Coefficient
- Withstanding Voltage 48V
- Quiescent Current 2.0μA
- Output Voltage Accuracy: tolerance $\pm 1\%$
- Output short circuit protection
- Temperature exceeds 120 ° C output current decreases

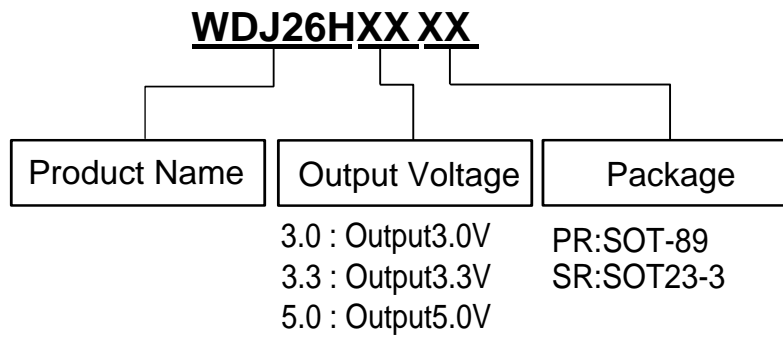
TYPICAL APPLICATIONS

- Battery-powered Equipments
- Communication Equipments
- Audio/Video Equipments
- Smart Battery Packs
- Smoke Detectors
- Power Meter, Water Meter, Smart Meter

PIN CONFIGURATION



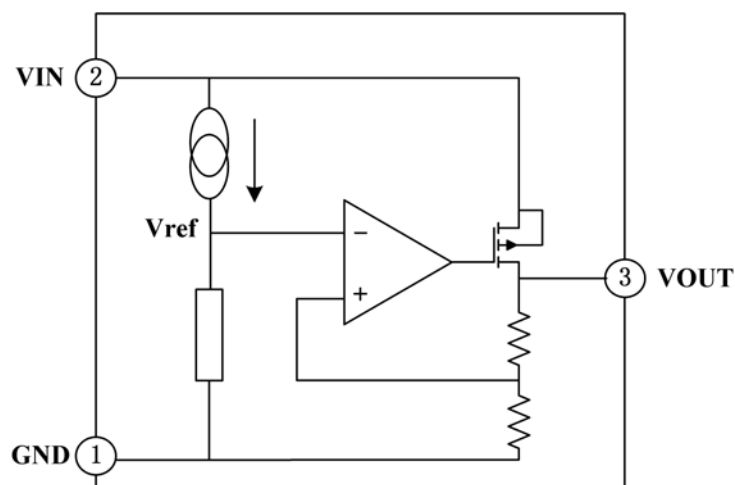
ORDERING INFORMATION



PIN DESCRIPTION

PIN No.		Name	Functions Description
SOT-89	SOT23-3		
1	1	GND	ground
2	2	V _{IN}	input
3	3	V _{OUT}	output

FUNCTIONAL BLOCK DIAGRAM



ABSOLUTE MAXIMUM RATINGS

Description	Symbol	Value range	Unit
Limit Power Voltage	V_{IN}	-0.3~+52	V
Storage Temperature Range	T_{STG}	-50~+125	°C
Operating Free-air Temperature Range	T_A	-40~+85	°C
Maximum Junction Temperature	T_J	150	°C

Note : Stresses greater than those listed under “Absolute Maximum Ratings” may cause permanent damage to the device. These are stress ratings only, and functional operation of the device at these or any other conditions beyond those indicated under “Recommended Operating Conditions” is not implied. Exposure to “Absolute Maximum Ratings” for extended periods may affect device reliability.

When the junction temperature reaches 150°C, the system can work, but the IC has over-temperature protection. the junction temperature exceeds 120°C, the output current decreases.

HEAT DISSIPATION

Description	Symbol	Package	Value range	Unit
Thermal resistance	θ_{JA}	SOT-89	200	°C/W
		SOT23-3	500	°C/W
Power dissipation	P_W	SOT-89	500	mW
		SOT23-3	200	mW

DC CHARACTERISTICS (unless otherwise noted $T_A = +25^\circ\text{C}$)

WDJ26H30

Parameter	Symbol	Test Condition	Min.	Typ.	Max.	Unit
Output Voltage	V_{OUT}	$V_{IN}=V_{OUT}+2.0V$, $I_{OUT}=10mA$	2.97	3.0	3.03	V
Output Current	I_{OUT}	$V_{IN}=V_{OUT}+2.0V$	—	250	—	mA
Load Regulation	ΔV_{OUT}	$V_{IN}=V_{OUT}+2.0V$ $1mA \leq I_{OUT} \leq 200mA$	—	15	75	mV
Voltage Drop	V_{DIF}	$I_{OUT}=100mA$, $\Delta V_{OUT}=2\%$	—	550	—	mV
Quiescent Current	I_{SS}	No Load	—	2.0	3.0	μA
Line Regulation	$\frac{\Delta V_{OUT}}{V_{OUT}} / \frac{\Delta V_{IN}}{\Delta V_{IN}}$	$V_{OUT}+1.0V \leq V_{IN} \leq 48V$, $I_{OUT}=1mA$	—	—	0.2	%/V
Input Voltage	V_{IN}	—	—	—	48	V
Temperature Coefficient	$\frac{\Delta V_{OUT}}{\Delta T_A} * V_{OUT}$	$V_{IN}=V_{OUT}+2.0V$, $I_{OUT}=1mA$, $-40^\circ\text{C} \leq T_A \leq 85^\circ\text{C}$	—	65	—	ppm/ $^\circ\text{C}$

Note :

When $V_{IN}=V_{OUT}+2.0V$, as the output voltage declined 2%, the $V_{DIF}=V_{IN}-V_{OUT}$.

The input withstand voltage value of 48V does not mean that the circuit can work normally under a 48V power supply voltage. When the machine is turned on or off, the voltage pulse generated on the 48V power supply may far greater than 48V, causing permanent damage to the chip.

WDJ26H33

Parameter	Symbol	Test Condition	Min.	Typ.	Max.	Unit
Output Voltage	V_{OUT}	$V_{IN}=V_{OUT}+2.0V$, $I_{OUT}=10mA$	3.267	3.30	3.333	V
Output Current	I_{OUT}	$V_{IN}=V_{OUT}+2.0V$	—	250	—	mA
Load Regulation	ΔV_{OUT}	$V_{IN}=V_{OUT}+2.0V$ $1mA \leq I_{OUT} \leq 200mA$	—	15	75	mV
Voltage Drop	V_{DIF}	$I_{OUT}=100mA$, $\Delta V_{OUT}=2\%$	—	550	—	mV
Quiescent Current	I_{SS}	No Load	—	2.0	3.0	μA
Line Regulation	$\frac{\Delta V_{OUT}}{V_{OUT}} / \frac{\Delta V_{IN}}{\Delta V_{IN}}$	$V_{OUT}+1.0V \leq V_{IN} \leq 48V$, $I_{OUT}=1mA$	—	—	0.2	%/V
Input Voltage	V_{IN}	—	—	—	48	V
Temperature Coefficient	$\frac{\Delta V_{OUT}}{\Delta T_A} * V_{OUT}$	$V_{IN}=V_{OUT}+2.0V$, $I_{OUT}=1mA$, $-40^\circ\text{C} \leq T_A \leq 85^\circ\text{C}$	—	65	—	ppm/ $^\circ\text{C}$

Note :

When $V_{IN}=V_{OUT}+2.0V$, as the output voltage declined 2%, the $V_{DIF}=V_{IN}-V_{OUT}$.

The input withstand voltage value of 48V does not mean that the circuit can work normally under a 48V power supply voltage. When the machine is turned on or off, the voltage pulse generated on the 48V power supply may far greater than 48V, causing permanent damage to the chip.

WDJ26H50

Parameter	Symbol	Test Condition	Min.	Typ.	Max.	Unit
Output Voltage	V_{OUT}	$V_{IN}=V_{OUT}+2.0V,$ $I_{OUT}=10mA$	4.95	5.0	5.05	V
Output Current	I_{OUT}	$V_{IN}=V_{OUT}+2.0V$	—	250	—	mA
Load Regulation	ΔV_{OUT}	$V_{IN}=V_{OUT}+2.0V$ $1mA \leq I_{OUT} \leq 200mA$	—	15	72	mV
Voltage Drop	V_{DIF}	$I_{OUT}=100mA, \Delta V_{OUT}=2\%$	—	550	—	mV
Quiescent Current	I_{SS}	No Load	—	2.0	3.0	μA
Line Regulation	$\frac{\Delta V_{OUT}}{\Delta V_{IN}} \cdot V_{OUT}^*$	$V_{OUT}+1.0V \leq V_{IN} \leq 48V,$ $I_{OUT}=1mA$	—	—	0.2	%/V
Input Voltage	V_{IN}	—	—	—	48	V
Temperature Coefficient	$\frac{\Delta V_{OUT}}{\Delta T_A} \cdot V_{OUT}$	$V_{IN}=V_{OUT}+2.0V,$ $I_{OUT}=1mA,$ $-40^\circ C \leq T_A \leq 85^\circ C$	—	65	—	ppm/ $^\circ C$

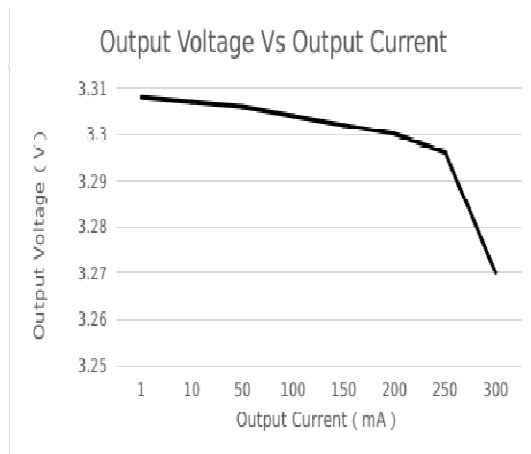
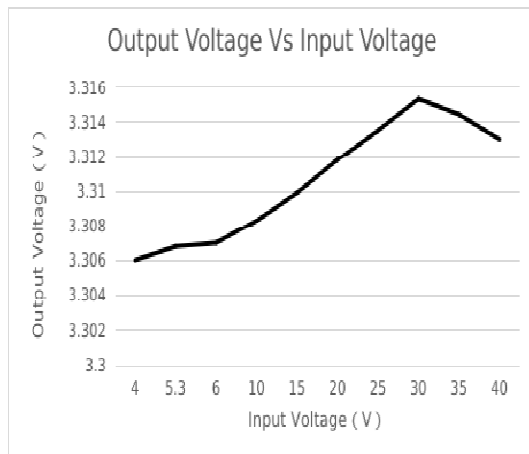
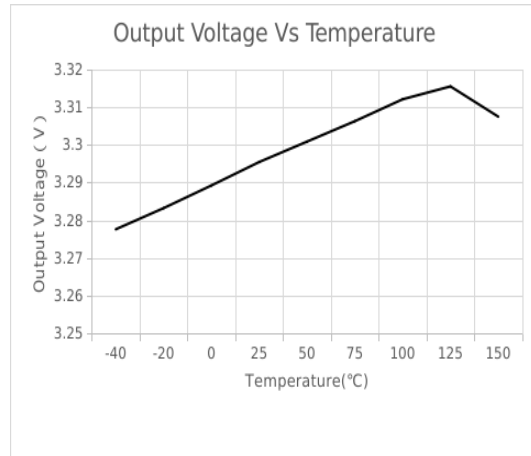
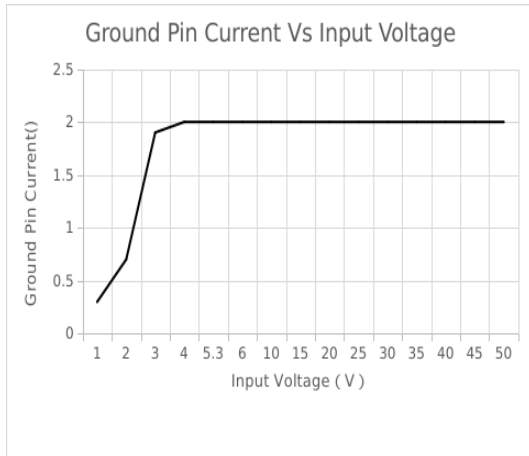
Note :

When $V_{IN}=V_{OUT}+2.0V$, as the output voltage declined 2%, the $V_{DIF}=V_{IN}-V_{OUT}$.

The input withstand voltage value of 48V does not mean that the circuit can work normally under a 48V power supply voltage. When the machine is turned on or off, the voltage pulse generated on the 48V power supply may Far greater than 48V, causing permanent damage to the chip.

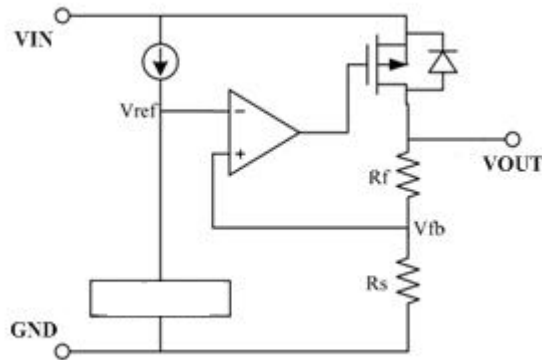
DTYPICAL PERFORMANCE CHARACTERISTIC

$V_{IN} = 5.3V$, $V_{OUT} = 3.3V$, $C1=C2=10\mu F$, $T_A = 25^\circ C$



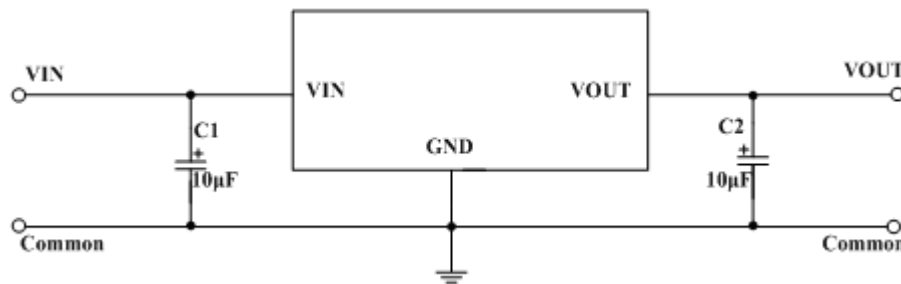
APPLICATION DESCRIPTION

The error amplifier compares the input voltage of the divider resistor composed of feedback resistors R_s and R_f with the reference voltage V_{ref} , and provides the necessary gate voltage to the output transistor through this error amplifier, so that the output voltage is not affected by input voltage or temperature changes and remains constant.



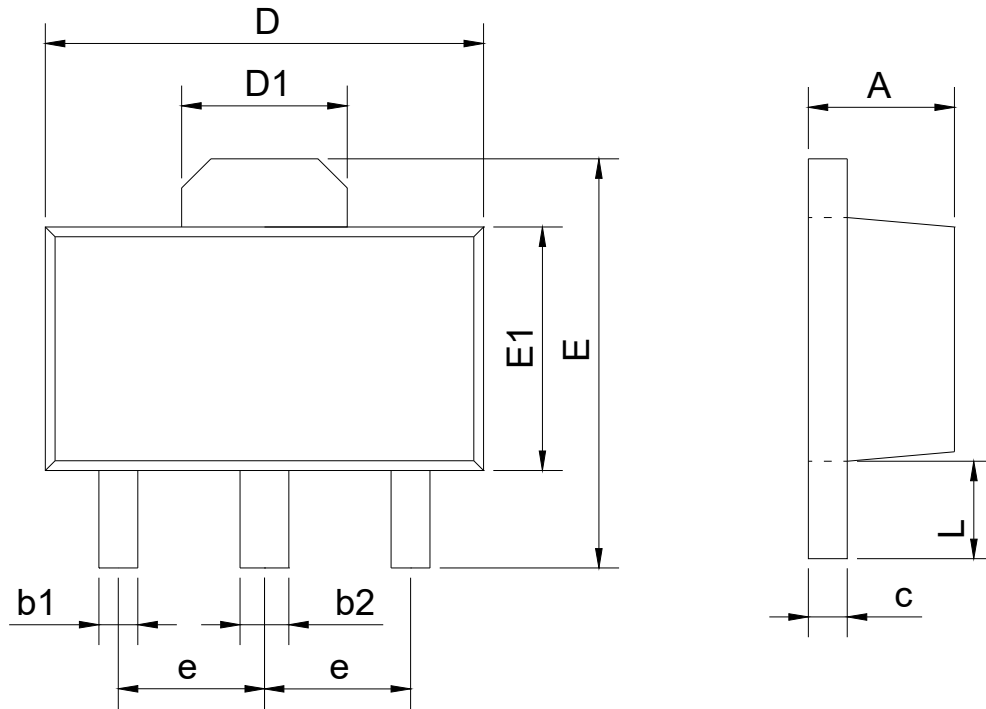
1. When applying, try to connect the capacitors close to the VIN and VOUT pins.
2. The circuit uses a phase compensation circuit and uses the ESR of the output capacitor for compensation. Therefore, a capacitor larger than $2.2\mu\text{F}$ must be connected to the output ground. Tantalum capacitors are recommended.
3. Pay attention to the input and output voltage and load current conditions to prevent the power consumption inside the IC from exceeding the maximum power consumption allowed by the package.

TYPICAL APPLICATION CIRCUIT



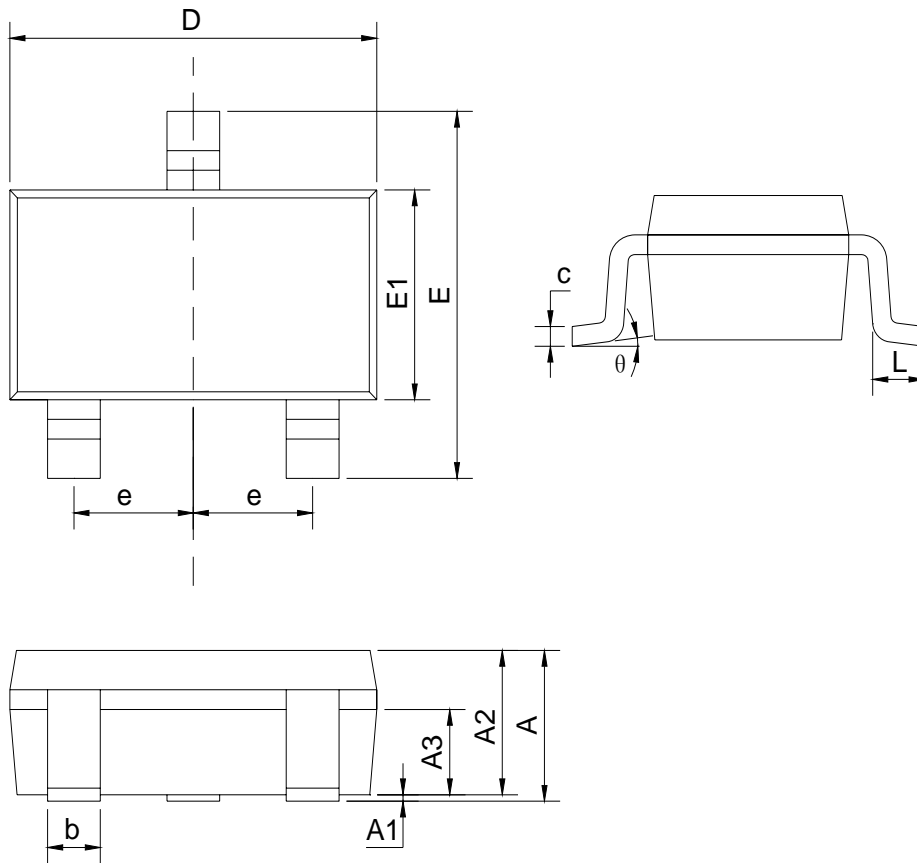
PACKAGE INFORMATION

SOT-89



SYMBOL	mm	
	min	max
A	1.40	1.60
b1	0.35	0.50
b2	0.45	0.60
c	0.36	0.46
D	4.30	4.70
D1	1.40	1.80
E	4.00	4.40
E1	2.30	2.70
e	1.50BSC	
L	0.80	1.20

SOT23-3



SYMBOL	mm	
	min	max
A		1.35
A1	0.04	0.15
A2	1.00	1.20
A3	0.55	0.75
b	0.38	0.48
c	0.10	0.25
D	2.72	3.12
E	2.60	3.00
E1	1.50	1.80
e	0.95BSC	
L	0.30	0.60
θ	0	8°

Important statement:

➤ WDJ Semiconductor Co., Ltd. reserves the right to change the products and services provided without notice. Customers should obtain the latest relevant information before ordering, and verify the timeliness and accuracy of this information.

➤ Any and all WDJ Semiconductor products described or contained herein do not have specifications that can handle applications that require extremely high levels of reliability, such as life-support systems, aircraft's control systems, or other applications whose failure can be reasonably expected to result in serious physical and/or material damage. Consult with your WDJ Semiconductor representative nearest you before using any WDJ Semiconductor products described or contained herein in such applications.

➤ WDJ Semiconductor Co., Ltd. strives to supply high-quality high-reliability products. However, any and all semiconductor products fail with some probability. It is possible that these probabilistic failures could give rise to accidents or events that could endanger human lives, that could give rise to smoke or fire, or that could cause damage to other property. When designing equipment, adopt safety measures so that these kinds of accidents or events cannot occur. Such measures include but are not limited to protective circuits and error prevention circuits for safe design, redundant design, and structural design.

➤ In the event that any or all WDJ Semiconductor products (including technical data, services) described or contained herein are controlled under any of applicable local export control laws and regulations, such products must not be exported without obtaining the export license from the authorities concerned in accordance with the above law.

➤ WDJ Semiconductor assumes no responsibility for equipment failures that result from using products at values that exceed, even momentarily, rated values (such as maximum ratings, operating condition ranges, or other parameters) listed in products specifications of any and all WDJ Semiconductor products described or contained herein.

➤ Specifications of any and all WDJ Semiconductor products described or contained herein stipulate the performance, characteristics, and functions of the described products in the independent state, and are not guarantees of the performance, characteristics, and functions of the described products as mounted in the customer's products or equipment. To verify symptoms and states that cannot be evaluated in an independent device, the customer should always evaluate and test devices mounted in the customer's products or equipment.