

Features

- High reliability
- Small surface mounting type
- Low reverse current and low forward voltage

HF

Application

- Low current rectification

Mechanical Data

- Case: SOD-123, SOD-323, SOD-523, DFN1006-2
- Molding Compound: UL Flammability Classification Rating 94V-0
- Terminals: Matte tin-plated leads; solderability-per MIL-STD-202, Method 208



RB751W-40
SOD-123

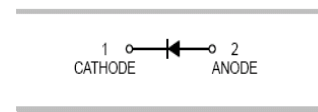
RB751V-40
SOD-323



RB751S-40
SOD-523



RB751L-40
DFN1006-2



Ordering Information

Part Number	Package	Shipping Quantity	Marking Code
RB751W-40	SOD-123	3000pcs / Tape & Reel	5
RB751V-40	SOD-323	3000pcs / Tape & Reel	5
RB751S-40	SOD-523	3000pcs / Tape & Reel	5
RB751L-40	DFN1006-2	10000pcs / Tape & Reel	5

Maximum Ratings (@ T_A = 25°C unless otherwise specified)

Parameter	Symbol	Value	Unit
Peak Repetitive Reverse Voltage	V _{RRM}	41	V
DC Reverse Voltage	V _R	40	V
Maximum Average Forward Output Current	I _{F(AV)}	30	mA
Peak Forward Surge Current (8.3ms single half sine-wave)	I _{FSM}	0.5	A

Thermal Characteristics

Parameter	Symbol	RB751W -40	RB751V -40	RB751S -40	RB751L -40	Unit
Power Dissipation	P _D	250	200	150	100	mW
Thermal Resistance Junction-to-Air	R _{θja} ^{**1}	400	500	667	1000	°C/ W
Operating junction Temperature	T _J	125				°C
Storage Temperature Range	T _{STG}	-40 ~ +150				°C

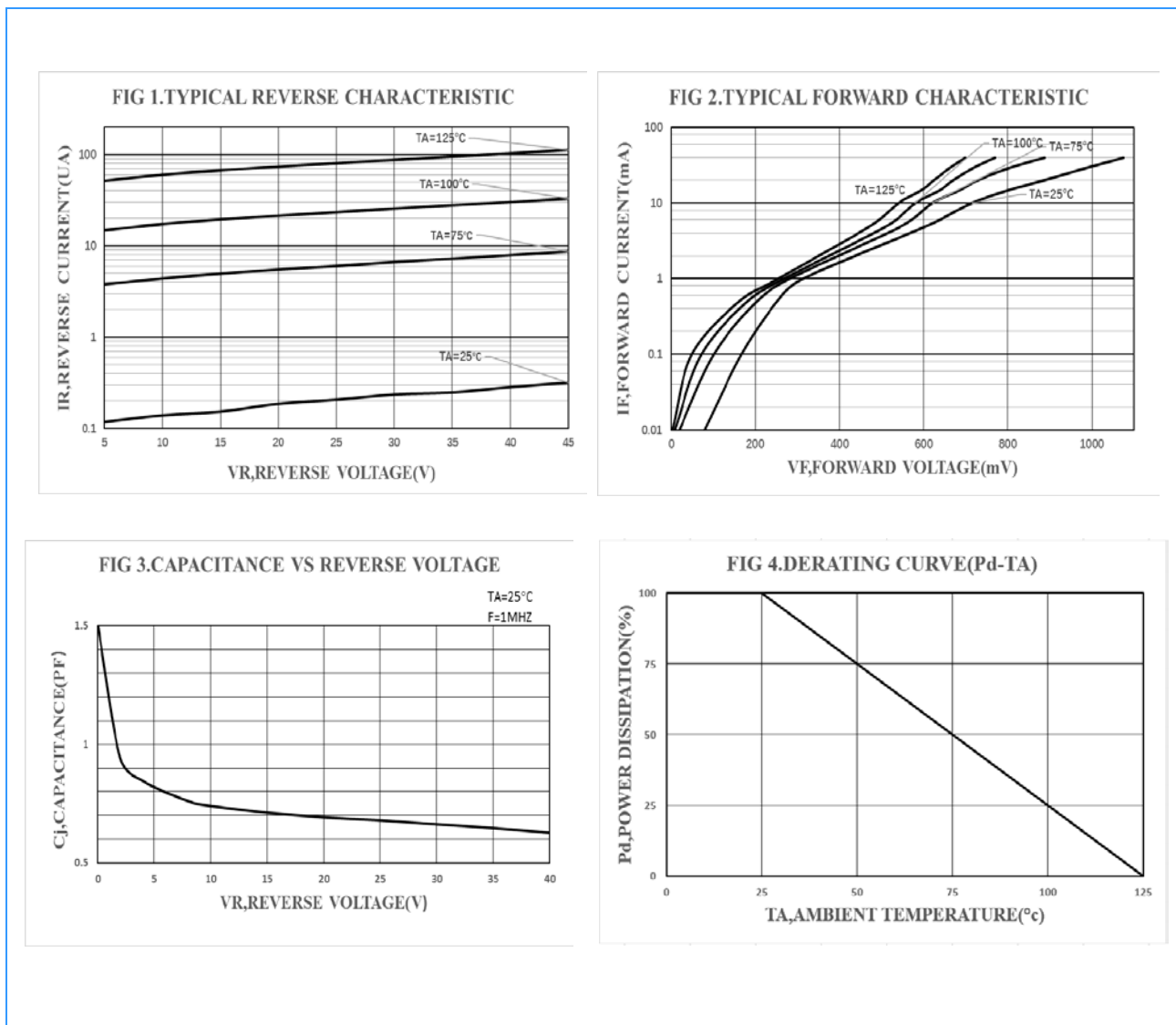
Electrical Characteristics (@ $T_A = 25^\circ\text{C}$ unless otherwise specified)

Parameter	Symbol	Test Condition	Min.	Typ.	Max.	Unit
Forward Voltage	V_F^{*2}	$I_F = 1\text{mA}$	-	-	0.37	V
Maximum Peak Reverse Current	I_R^{*3}	$V_R = 30\text{V}$	-	-	0.5	μA
Typical Junction Capacitance	C_J	$V_R = 1\text{V}, f = 1\text{MHz}$	-	1.2	-	pF

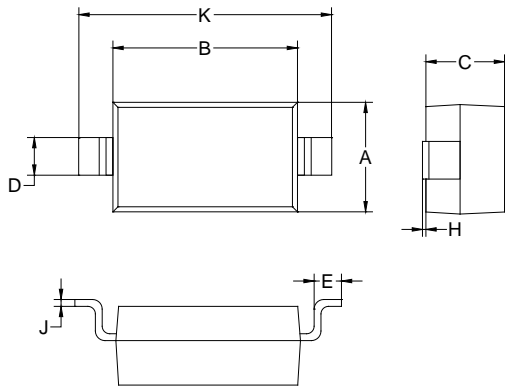
Notes:

1. Part mounted on FR-4 board with recommended pad layout
2. Pulse width $\leq 380\mu\text{s}$, Duty cycle $< 2\%$
3. pulse test, $t_p \leq 5\text{ms}$

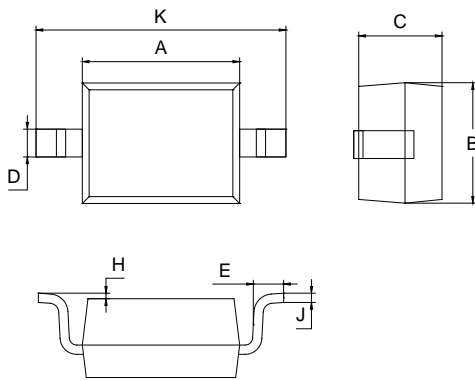
Ratings and Characteristic Curves (@ $T_A = 25^\circ\text{C}$ unless otherwise specified)



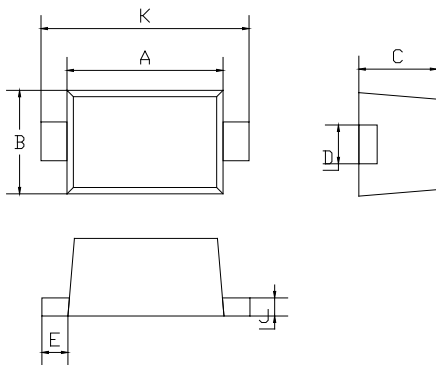
Package Outline Dimensions (Unit: mm)



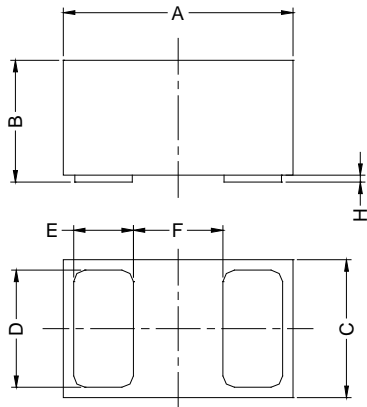
SOD-123		
Dimension	Min.	Max.
A	1.45	1.75
B	2.55	2.85
C	1.00	1.30
D	0.50	0.60
E	0.25	0.45
H	0.02	0.10
J	0.05	0.15
K	3.55	3.85



SOD-323		
Dimension	Min.	Max.
A	1.60	1.80
B	1.20	1.40
C	0.80	0.90
D	0.25	0.35
E	0.22	0.42
H	0.02	0.10
J	0.05	0.15
K	2.55	2.75



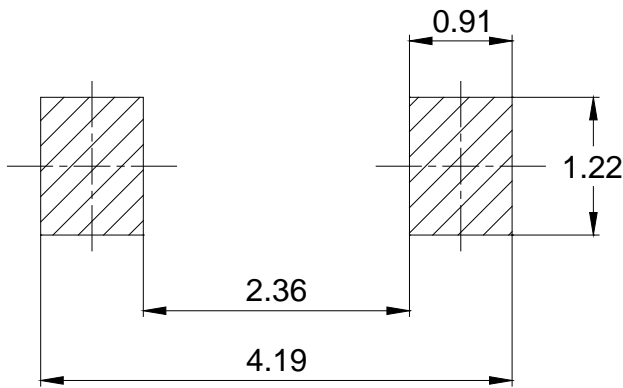
SOD-523		
Dimension	Min.	Max.
A	1.10	1.30
B	0.70	0.90
C	0.50	0.70
D	0.25	0.35
E	0.15	0.25
J	0.05	0.15
K	1.50	1.70



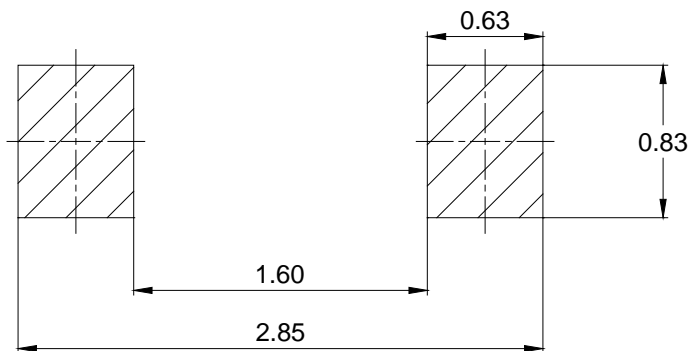
DFN1006-2			
Dimension	Min.	Typ.	Max.
A	0.95	1.00	1.075
B	0.47	0.50	0.53
C	0.55	0.60	0.675
D	0.45	0.50	0.55
E	0.20	0.25	0.30
F	-	0.40	-
H	0	0.03	0.05

Mounting Pad Layout (Unit: mm)

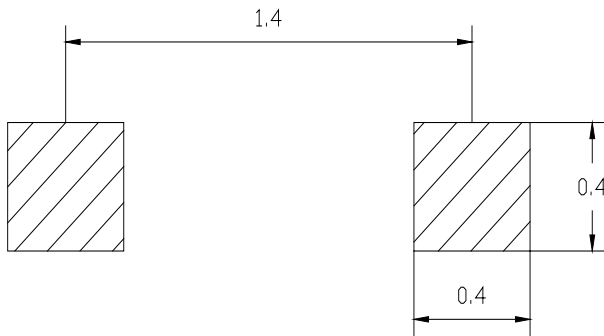
SOD-123



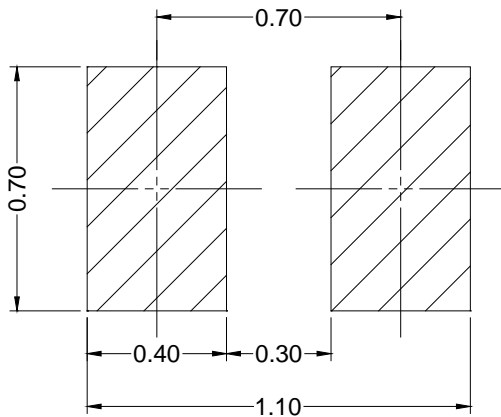
SOD-323



SOD-523



DFN1006-2



Important Notice

Changzhou Galaxy Century Microelectronics (GME) reserves the right to make changes without further notice to any product information (copyrighted) herein to make corrections, modifications, improvements, or other changes. GME does not assume any liability arising out of the application or use of any product described herein; neither does it convey any license under its patent rights, nor the rights of others.