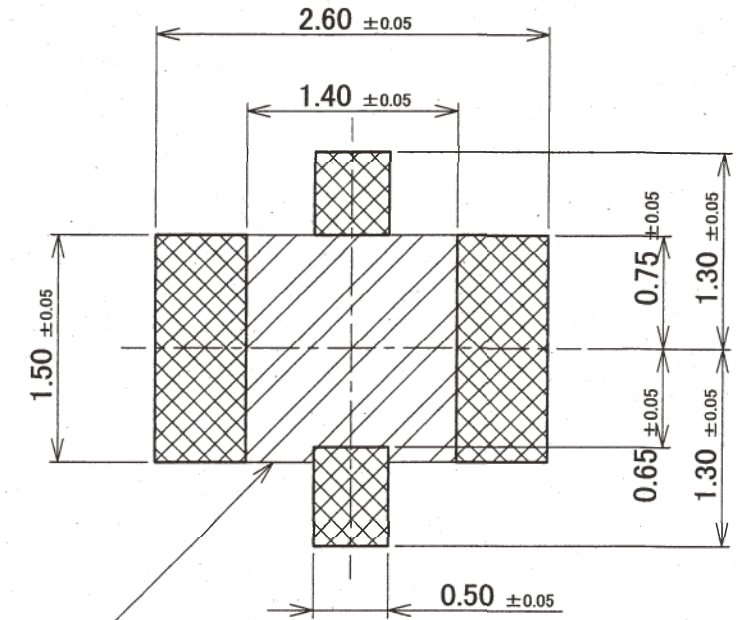
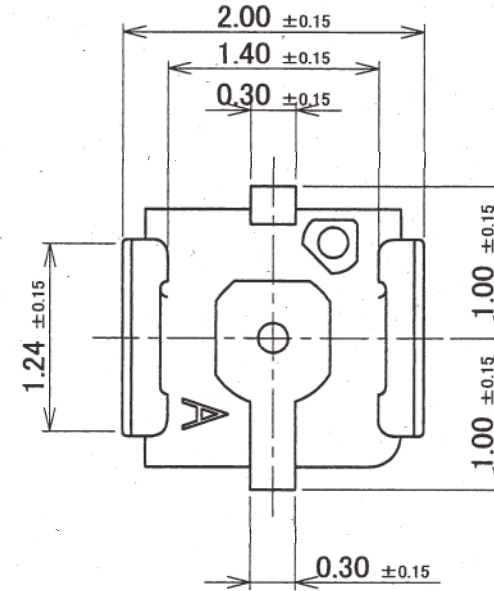
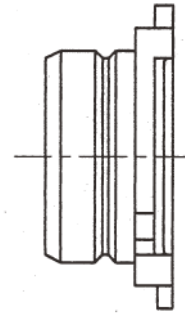
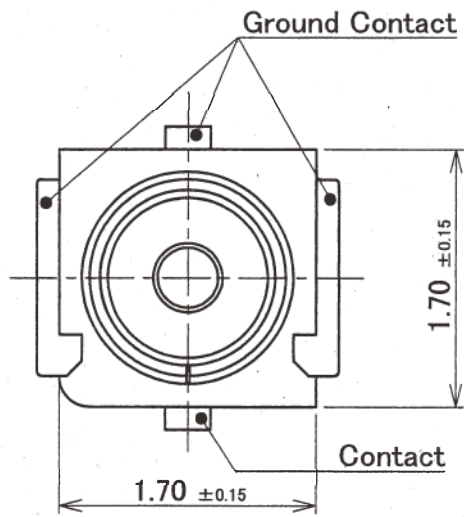


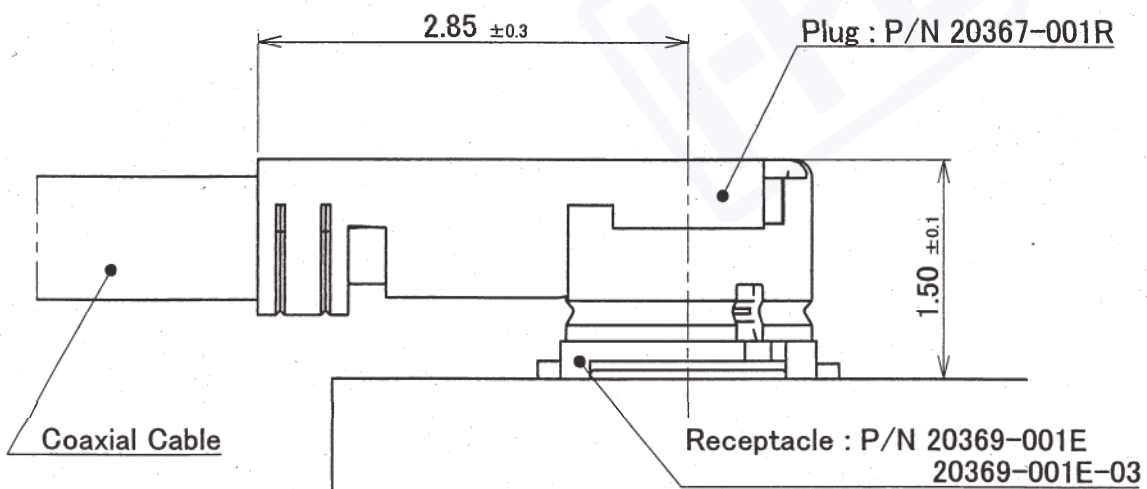
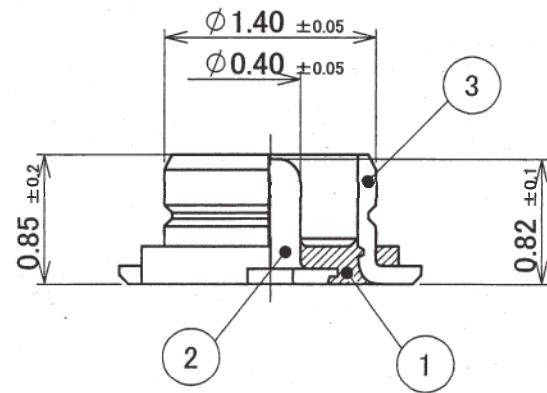
Recommended P/N 20369-001E-03

PART NO.	Packing reel	Qty.
20369-001E	Corrugated paper reel	5000
20369-001E-03	Plastic reel	



Cut out prohibition area
パターン禁止エリア

RECOMMENDED FOOTPRINT PATTERN



NOTES.

- 1.MATERIAL
 ①HOUSING : LCP(GF=30%) BLACK UL94V-0
 ②CONTACT : BRASS Au OVER Ni
 ③GROUND CONTACT : PHOSPHOR BRONZE Au OVER Ni
 2.COPLANARITY : 0.10mm MAX
 3.PACKING : EMBOSS TAPE



TITLE
MHF III Connector Receptacle

GENERAL TOLERANCE	
6 MAX.	±0.2
6 OVER MAX. 30	±0.3
30 OVER MAX. 120	±0.5
ANGLE	±2°

MATING

SERIES No.

R2

CUSTOMER COPY



SCALE
20:1

UNIT
mm

DWG. No.

20369

SHEET
1/1

REV.
9